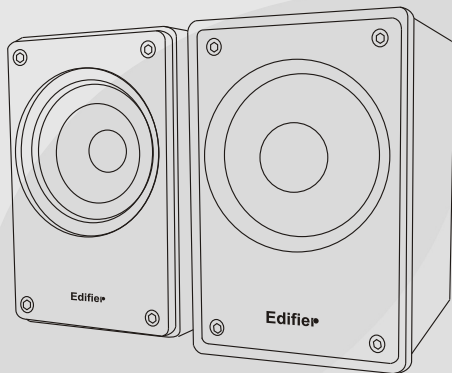


Edifier

THE AUDIO ARTIST



MP210

Multimedia Speaker

English

Français

User Manual

Please read this manual carefully before operating the Speaker System

Introduction

Congratulations on the purchase of the Edifier MP210 speaker system. With the right care and attention, it will give you many years of trouble free operation.

Before operating the system, please read this manual fully to obtain the best results from your new product, and retain it carefully for future reference.

The lightning flash with arrowhead, within an equilateral triangle, is intended to alert the user to the presence of un-insulated dangerous voltage within the product's enclosure that may be of a sufficient magnitude to constitute a risk of electric shock to persons.



CAUTION: TO PREVENT THE RISK OF ELECTRIC SHOCK, DO NOT REMOVE COVER (OR BACK). NO USER-SERVICEABLE PARTS INSIDE. REFER SERVICING TO QUALIFIED SERVICE PERSONNEL ONLY.

The exclamation point within an equilateral triangle is intended to alert the user to the presence of important operating and maintenance (servicing) instructions in the literature accompanying the product.

SAFETY INSTRUCTIONS

Please read all the instructions herein.

Please retain this manual safely for future reference.

Please heed all safety warnings.

Please Install in accordance with the Manufacturer's instructions.

Please adjust the volume control to a comfortable level to avoid damaging your hearing and the system.

WARNING:

TO REDUCE THE RISK OF ELECTRIC SHOCK:

Do not expose this apparatus to rain or moisture.

Do not use the speakers near water, and do not immerse them in any liquid or pour any liquid on them.

Do not block the openings in the speaker cabinets, never push objects into speaker vents or slots because of fire or electric shock hazards, and provide sufficient space around the speakers for proper ventilation.

Do not install near any heat sources such as radiators, heat registers, stoves, or other apparatus (including amplifiers) that produce heat.

Do not defeat the safety purpose of the polarized plug. A polarized plug has two blades with one wider than the other. The wider blade is provided for your safety. If the provided plug does not fit into your outlet, consult an electrician for replacement of the obsolete outlet. Protect the power cord from being walked on or pinched particularly at plugs, convenience receptacles, and the point where they exit from the apparatus.

For added protection during lightning storms, unplug the speakers from the electrical outlet and turn off the computer.

Unplug this apparatus when unused for long periods of time.

Heat---- Place the speakers away from all heat sources, such as heat registers, stoves, and direct sunlight.

Ventilation ---- Do not block the openings in the speaker cabinets, never push objects into speaker vents or slots because of fire or electric shock hazards, and provide sufficient space around the speakers for proper ventilation.

Location ---- Place the speakers in a stable location so that it will not fall causing damage to the speakers or bodily harm.

Cleaning --- Unplug the speakers from the computer and from the electrical outlet before cleaning them with a damp cloth.

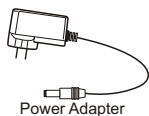
Lightning ----For added protection during lightning storms, unplug the speakers from the electrical outlet and turn off the computer. Servicing is required when the apparatus has been damaged in any way, such as the power-supply cord or plug is damaged, liquid has been spilled or objects have fallen into the apparatus, the apparatus has been exposed to rain or moisture, does not operate normally, or has been dropped. Refer all servicing to qualified service personnel only.

Opening the packing

Please check the speaker Model number marked on the packing carton. Please contact the seller as soon as possible if you find the speaker is the incorrect model or has sustained shipping damage.

MP210 packing list:

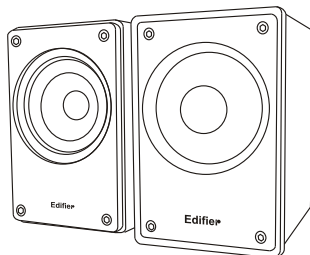
- 1 x Active Speaker
- 1 x Non active speaker
- 1 x USB-DC converter cable
- 1 x Power Adapter DC 8V
- 2 x Audio Connecting Cable with 3.5mm to 3.5mm Stereo headphone plug.
- 1 x Speaker Connecting Cable with 3.5mm to 3.5 mm Stereo headphone plug.
- 1 x User Manual



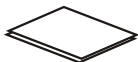
Power Adapter



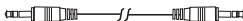
USB-DC converter cable.



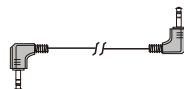
Active & Non active speaker



User Manual



Audio Connecting Cable (Green)



Speaker Connecting Cable

Figure and Function Description

1 Active Speaker

2 Up (Volume up key)

Press this key to increase Volume.

3 Down (Volume down key)

Press this key to decrease Volume.

4 Active and Non-active speaker socket.

5 Power (Turn on / Stand by)

Press this key down to switch speaker ON.

Press this key up to place speaker on Stand By.

6 Input (Audio signal input socket)

connects to a Computer Soundcard output, or other source.

7. L SPK (output to Non-Active speaker).

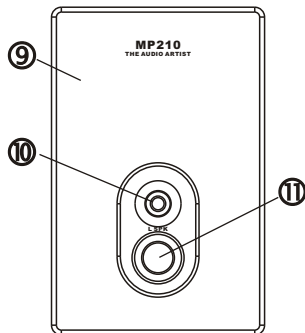
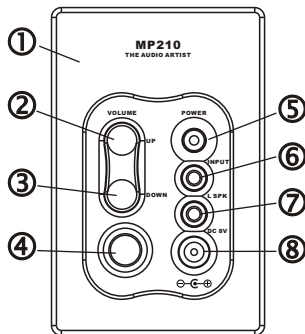
Amplifier audio signal output to Non-Active speaker.

8. DC 8V (AC power input socket).

9. Non-Active speaker.

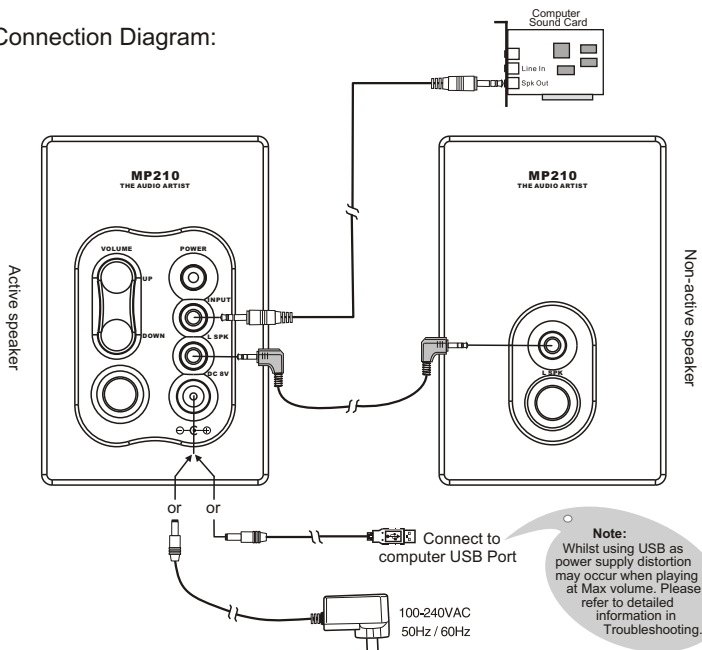
10. L SPK (Non-Active speaker audio signal input socket)

11. Non-Active speaker port



Speaker connections

Connection Diagram:



Specifications

Specifications:

Amplifier power output: RMS 3Wx2 (THD=10%, fo=1KHz)

Signal to noise ratio (Amplifier): $\geq 90\text{dB}$ A

Amplifier distortion: THD+N<0.5%

Input Impedence: 15K Ohm

Input Sensitivity: 350mV(+/- 50mV)

Volume Control: Built-in Volume control. Button

Speaker driver: 2 inch (52mm), Magnetically Shielded, 8 Ohm.

Power input: DC 8V 1.25A

Dimension: 66(W)x103(H)x87(D) mm

Weight: approx. 1.4 kg

Edifier One Year Limited Warranty

Edifier warrants to the end user that all of its computer speaker systems are free from defects in materials and workmanship in the course of normal and reasonable use for a term of one year from the date of purchase.

This warranty is the exclusive and only warranty in effect relative to Edifier multimedia speaker systems and any other warranties, either expressed or implied, are invalid. Neither Edifier nor any authorized Edifier reseller is responsible for any incidental or consequential damages incurred in the use of the speakers. (This limitation of incidental or consequential damage is not applicable where prohibited.)

Edifier's obligation under this warranty does not apply to any defect, malfunction or failure as a result of misuse, abuse, improper installation, use with faulty or improper equipment, or the use of the speaker systems with any equipment for which they were not intended.

The terms of this warranty apply only to speaker systems when such speakers are returned to the respective authorized Edifier reseller where they were purchased.

Under the terms of this warranty, the original consumer purchaser has certain legal rights and may have other rights, which vary worldwide.

Notice

Edifier and Edifier logo are owned by Edifier Enterprises Canada Inc., and may be registered. Other Brand names and trademarks are the property of their owners. Edifier assumes no responsibility for any errors that may appear in this manual. Information contained herein is subject to change without notice.

Troubleshooting Guide

- **Sound from only one speaker.**

Please ensure all speaker cable connections are correct. Please try an alternate sound source such as a CD player, MP3 or other player. If both speakers now work correctly, the original sound source is at fault. Please ensure the computer Soundcard is installed correctly.

- **No sound from any of the speakers**

1. Please ensure AC adapter is plugged in and power outlet is switched on.
2. Please ensure Active speaker power is switched on.
3. Please ensure all audio cable connections are correct.
4. Please ensure sound source equipment is working correctly.

- **Speaker has distortion when volume set on Max whilst using computer USB as a power supply.**

This tends to occur due to the fact the USB output cannot supply sufficient power for the speaker system. Please adjust your volume to the correct level accordingly.

- **Speakers exhibit excessive noise**

Edifier speakers are of a very low noise circuit design. Some source equipment may have a poor signal to noise ratio. Therefore, please unplug the input audio cable, and check if the noise is from the CD/DVD player or the Computer Soundcard etc.

- **Magnetically Shielded Speakers**

Edifier system subwoofers and satellite speakers are all of a magnetically shielded design. You can place the speakers near a TV or monitor. However, it is wise to allow a 0.2-1 m distance between the speakers and monitor to avoid possible magnetic field interference.

- **Listening Tips:**

All high quality speaker systems benefit from a running-in period on normal music sources to stabilize their intended properties.

- **To optimize the sound quality from your system:**

Sit in a comfortable position at the computer desktop. Take time to test the listening environment by using music CDs with wide frequency content and spacious left-to-right imaging. The speaker driver used in the loudspeakers will change their characteristics subtly over the first two weeks of use as the suspension of the cones will loosen up slightly, producing a trace more warmth to the overall sound texture. Adjust the speaker placement for the most realistic imaging and tonal balance by listening to several different musical selections and game or computer sound effects.

For optimum acoustic performance, we recommend that you place your speakers at least 6-8" from rear walls to reduce unwanted reflections that can muddy your sound. Bass frequencies may be enhanced or exaggerated by placing your speakers close to a wall or corner. Please feel free to experiment with the system's location to obtain the most pleasing effects.

Edifier couples incredible technology with an amplified loudspeaker system to generate smooth deep bass, crystal clear highs, and enough power to ensure that your personal listening experience allows you to hear what you have been missing!

- **If you have any further questions or concerns regarding Edifier Products**

please visit our website at: www.edifier.com ,

or email Edifier Support for further assistance at: main@edifier.com ,

If you prefer, you may contact us by phone Toll Free: 1-877-EDIFIER (334-3437).

Copyright© 2005
All Rights Reserved.
Manual Edition 1.1, Aug. 2005
Printed in CHINA

Edifier

www.edifier.com

EDIFIER ENTERPRISES CANADA INC.

Made in China