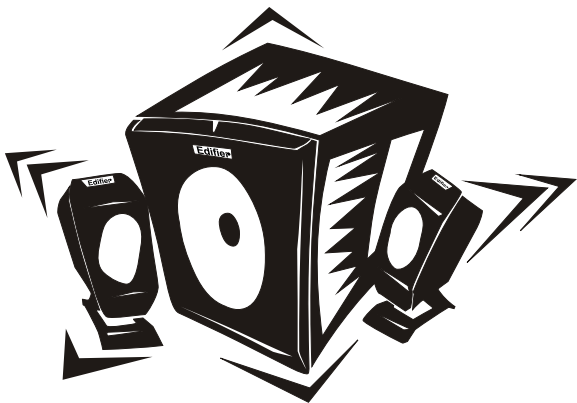


# Edifier

## X300

Multimedia Speaker

---



### User's Manual

Edifier Enterprises Canada Inc.

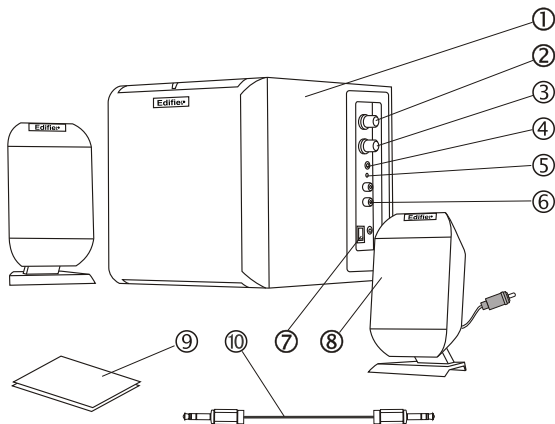
---

Made in China

## Welcome !

Very thanks for choosing Edifier multimedia speaker, it can provide good sound for multimedia computer and home theater. Before operating the system, please read this manual thoroughly and retain it for future reference.

## Overview



- 1、 Sub Woofer
- 3、 Bass Control
- 5、 Power Indicator
- 7、 Power Switch
- 9、 User's Manual

- 2、 Volume Control
- 4、 Line In Port
- 6、 Speaker Out
- 8、 Satellite Speakers
- 10、 Audio connecting cord

## **Operating**

### 1、CONNECTING

Connect the satellite speakers to the output RCA on the back panel of the Sub-woofer. Please note to match the color, red to red and white to white.

### 2、Connect the subwoofer to the Audio device.

Using Audio connecting cord , connect the Line-input port of the subwoofer to Line-out of the Audio Device (Such as the computer, Discman, etc).

### 3、Playing the audio device

Plug the AC power plug into the wall outlet and turn on the power switch, Now your speaker system is ready for Use.

Adjusting the volume control and Bass control , then you can enjoy the music.

## **SPECIFICATIONS**

Total Power Output:	RMS 6W x 2 + 12W(THD=10%)
Input Impedance:	10K Ohm
Input Sensitive:	450 mV
Bass Unit:	5.5" Aluminum coil, 4 Ohm
Tweeter Unit:	2 3/4" Paper coil, 4 Ohm
Dimension(Subwoofer):	221(W) x 207(H) x 249(D)mm
Dimension(Satellite):	84(W) x 158(H) x 85(D)mm
Gross Weight:	About 5.1 Kg

### Notice

Edifier assumes no responsibility for any errors that may appear in this manual. Information contained herein is subject to change without notice.

Copyright © 2005  
All Rights Reserved.  
Manual Edition 1.2, Jun. 2005  
Printed in CHINA

## WARNING

To reduce the risk of electric shock, Do not expose this apparatus to rain or moisture.

## Notice

**Edifier** and Edifier logo are owned by Edifier Enterprises Canada Inc. and may be registered. And other brand names and trademarks are the property of their owners.